



SOLARSTONE

FULL ROOF PV SYSTEMS WITH CLICK-ON FRAMING SPECIFICATIONS

DURABLE
BUILDING-INTERGRATED
ROOFTOP SOLAR PANELS
REPLACING TRADITIONAL ROOFING

CLICK - ON KIT

Standard size PV panels can be instantly converted waterproof roofing material with Solarstone Click-on framing.



ADVANTAGES

Full roof PV system for portrait & landscape installations

Inactive dummy modules for roof perimeter & obstacles

Frame compatibility with 99% of Tier 1 PV panels

Onsite assembly & few lightweight components

FIELD OF APPLCIATION

Residential new-builds and renovation projects

Production facilities

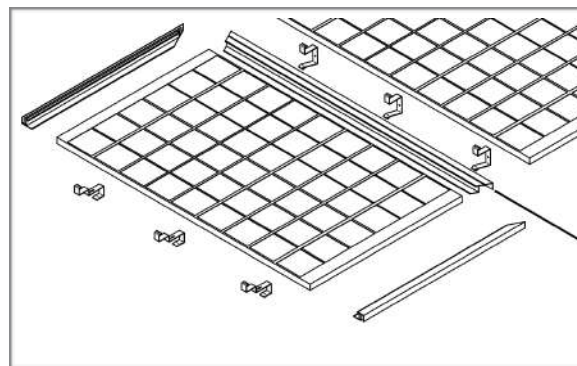
Ancillary buildings

Apartment buildings

Public buildings

All pitched roofs with slope over 12°

Technical



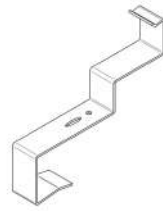
COMPONENTS

SPECIFICATIONS

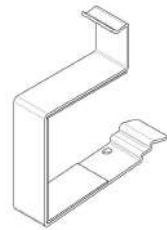
Utility patented system

Component list

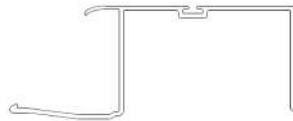
- 3 profiles
- 4 starter 1st row clamps
- 3 regular clamps
- 3 top row clamps
- Custom metal flashings



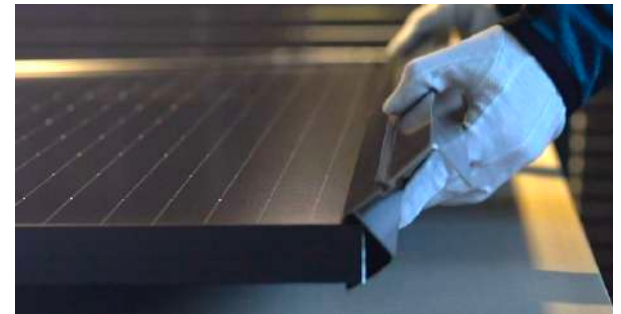
STARTER CLAMP



REGULAR CLAMP



TOP PROFILE



LEFT & RIGHT PROFILES



TESTS & CERTIFICATION

MATERIALS USED

COMPATIBILITY

Main Office & Factory
Tallinna tn 58
Viljandi
ESTONIA
sales@solarstone.ee

SGLARSTONE

FIRE, WIND, RAIN

Climate and aging tests performed
12 year manufacturer warranty
IEC 61215/61730
Roof tests are being performed



100 % RECYCLABLE

Painted and anodized aluminium profiles and dummies
Stainless steel painted clamps
No waste in production line
No waste at the end of the product life



TIER 1 PLAYERS

See solarstone.ee/calculator for detailed compatibility with different 60 cell Series provided by Tier 1 module makers

